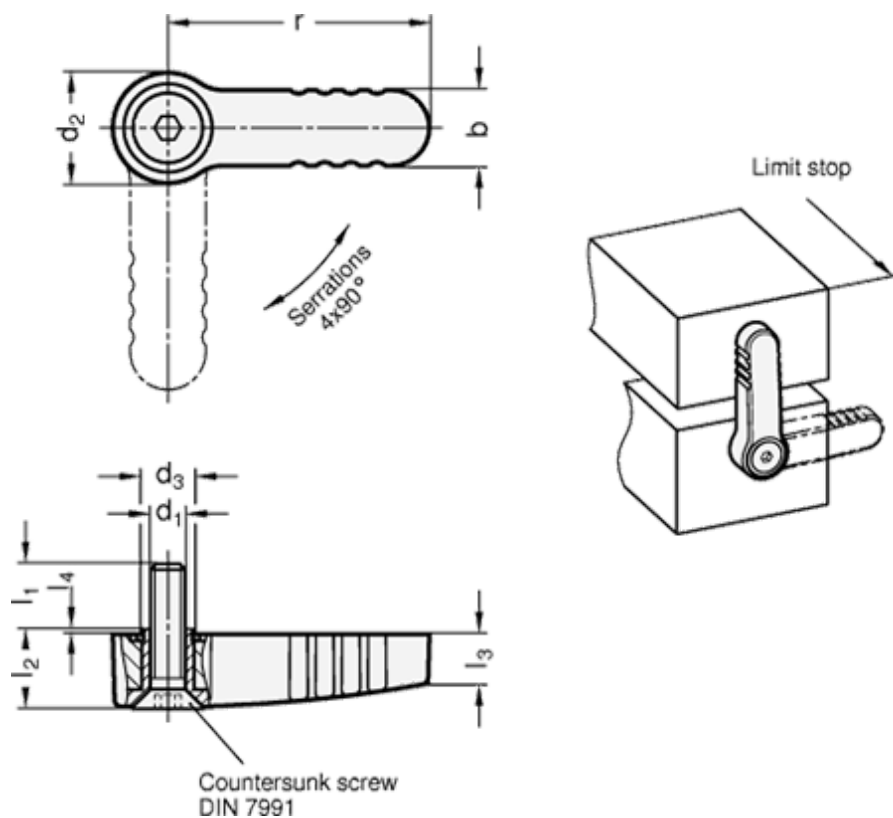


Article number: 2072065M8ASW

Description: E+G Stop locks GN 720-65-M8-A-SW

Measures



b = 13
d1 = M6
d2 = 19
d3 = 9
l1 = 12
l2 = 13
l3 = 8.5
l4 = 0.5

Load in N = 500
r = 45